

Electrolux

Factory Parts Catalog

Product No.	E24WC75HSS0
Color	stainless
Volts	115
Wiring Diagram	241899001
Owner's Guide	241957000
Market	North America
Service Data Sheet	241957100

Electrolux

Electrolux Major Appliances
North & Latin America
P.O. BOX 212378
AUGUSTA, GA 30917

**THIS CATALOG SUPERCEDES
PUBLICATON #5995522694.**

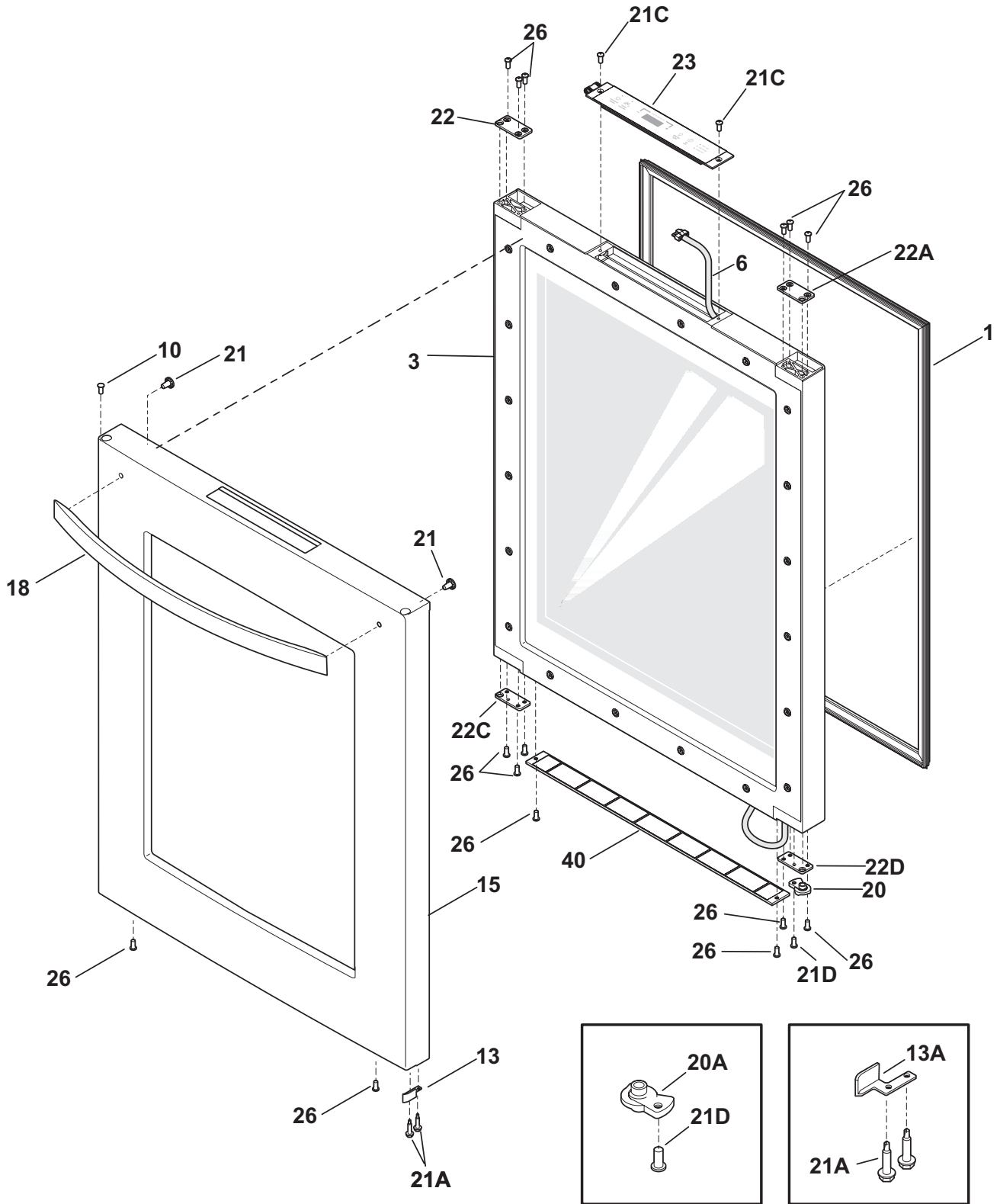
Publication No.
5995531851
09/01/21
(EN/SERVICE/KHB)
390

WINE COOLER

Model No.
E24WC75H

Copyright © 2009 Electrolux Home Products, Inc.
All rights reserved.

DOOR



U05DIBAAA0

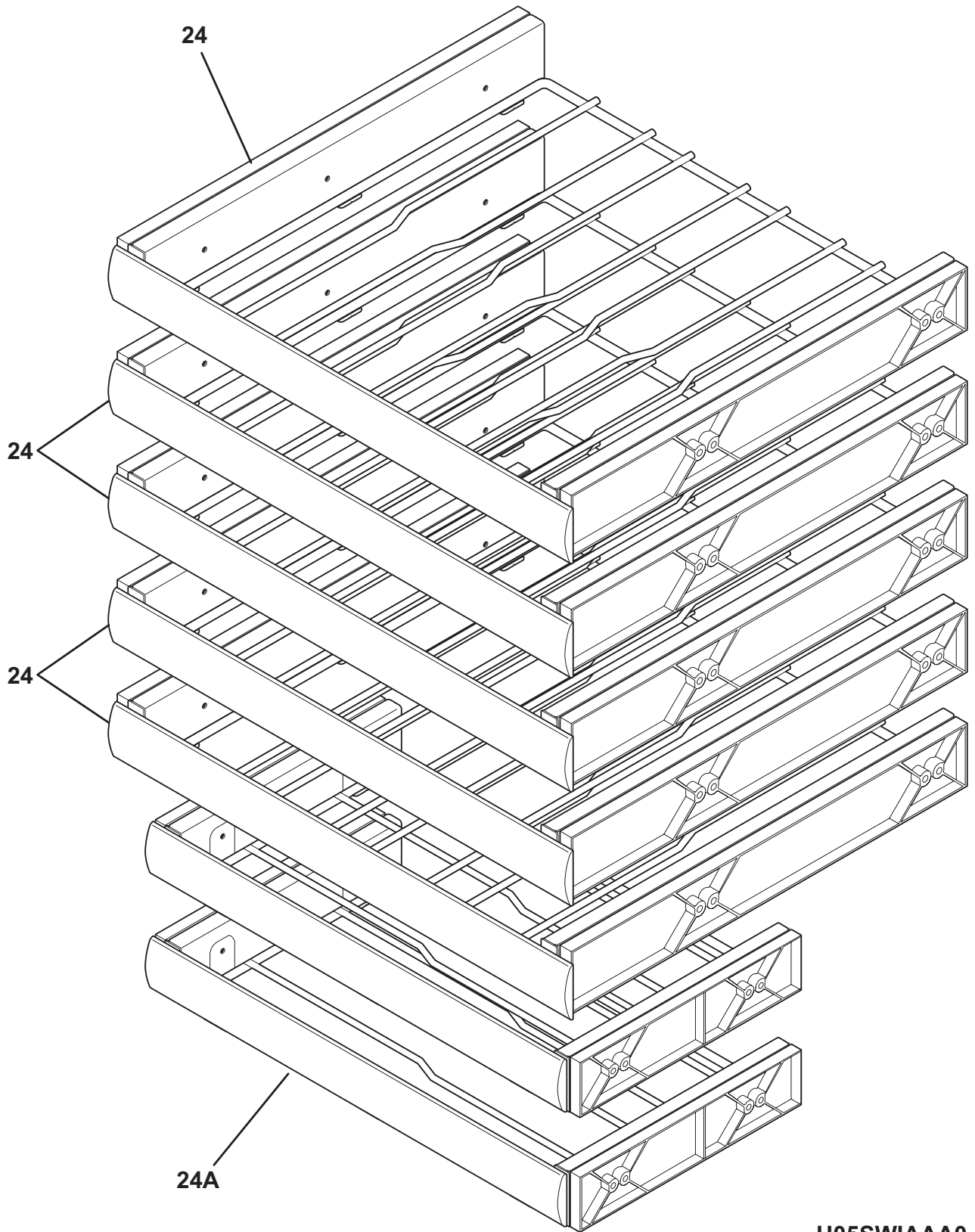
DOOR

POS. NO	PART NO.	DESCRIPTION
1	7241867201	Gasket-door, black
3	7241879203	Door Assembly, glass, w/framing
6 #	7241958501	Harness-wiring, door
10	7241953401	Plug button, black
13	7241866601	Door Stop, black, RH
13A	7241866602	Door Stop, black, LH
15	7241954601	Cover-door, stainless
18	7241962801	Handle-door, stainless steel
20	7241866801	Door Closer, cam, black RH, upper
20A	7241866802	Door Closer, cam, black LH, upper
21	7241548004	Screw, handle mtg, 10-32 x 1/4, (2)
21A	7241906101	Screw-#10 x 3/4 TEK
21C	7241918201	Screw, #8-32 x 3/8, flat head
21D	7241904601	Screw, #10-32 x 1/4
21D*	7241947201	Washer-flat, .250 x 1.50 OD, zinc
22	7241866401	Plate-door, upper left
22A	7241866402	Plate-door, upper right
22C	7241866501	Plate-door, lower left
22D	7241866502	Plate-door, lower right
23	7241897403	Board-control, temp control
26	7215503203	Screw, cr pan hd, 10-16 x 0.500
40	7241866101	Cover-access

CABINET

POS. NO	PART NO.	DESCRIPTION
15 #	7241904201	Light Assembly, LED, (4)
21A	7241906101	Screw-#10 x 3/4 TEK
21C	7241947301	Screw
21D	7241500304	Screw, hex washer head, 8-18AB x 0.625
22	7241882201	Door Closer, cam, black
22A	7241882202	Door Closer, cam, black LH, lower
23	7241904601	Screw, #10-32 x 1/4
26	7241904301	Screw, LED lighting
30	7241882401	Bracket-lower hinge, RH, w/hinge pin
30A	7241882402	Bracket-lower hinge, LH, w/hinge pin
37	7241882301	Hinge-upper, black
37A	7241882302	Hinge-upper, black LH
40	7241881801	Cover-upper hinge, black, RH
40A	7241881802	Cover-upper hinge, black, LH
42	7241710601	Screw, hex washer hd, 1/4 x 7/8, hinge mtg
43	7241911501	Leveling Leg, screw
72	7241908401	Grille/Kickplate, stainless
72*	7241908402	Grille/Kickplate, stainless
89	7241898002	Cover-access
92	7241904501	Screw, upper hinge
209	7241909201	Bracket, harness
210	7241903801	Bracket-anti tip
* #	7241900701	Harness-intermediate, UC, LED lighting

SHELVES

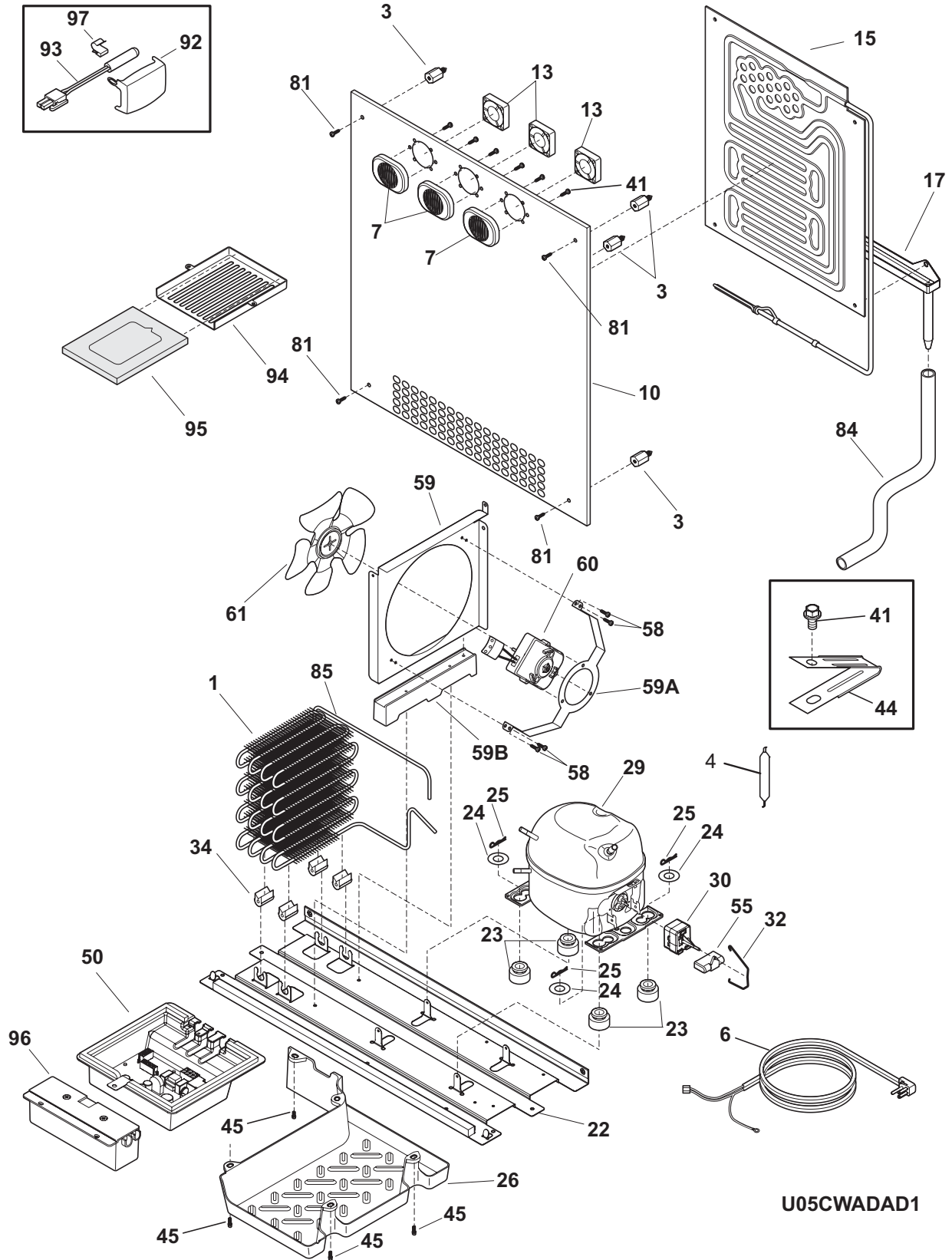


U05SWIAAA0

SHELVES

POS. NO	PART NO.	DESCRIPTION
24	7241902602	Shelf-Wine Rack, lower
24*	7241904701	Screw, 8-18 X 1-1/4
24A	7241905202	Shelf-Wine Rack, lower

SYSTEM

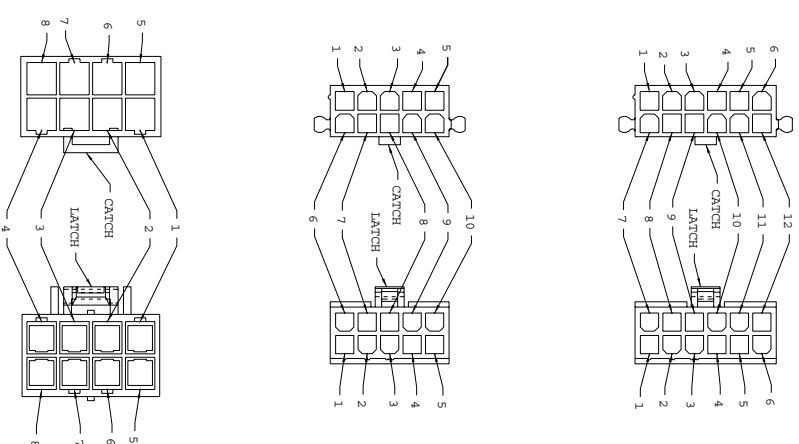
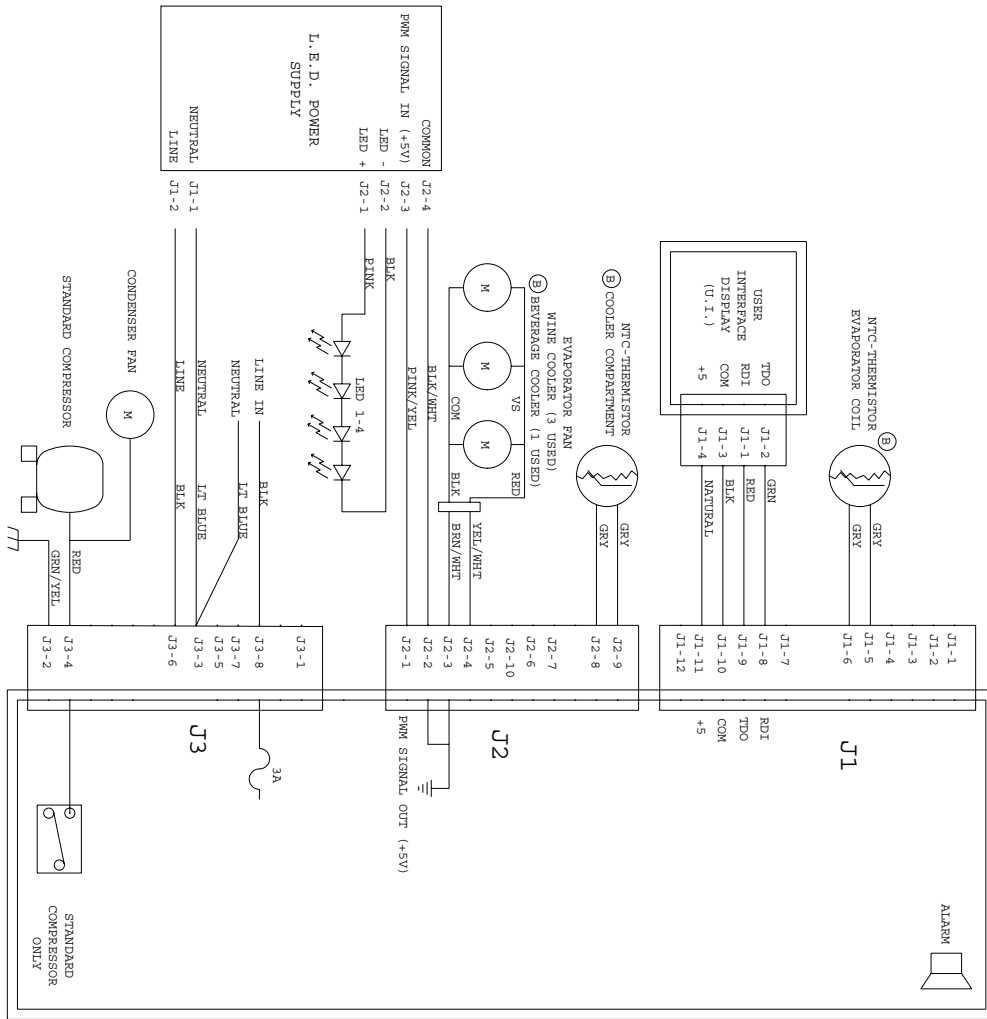


U05CWADAD1

SYSTEM

POS. NO	PART NO.	DESCRIPTION
1 #	7241931201	Condenser
1*	75304406721	Spacer-cond tube, round, 5/8 OD x .81"lg
3	7241890001	Spacer-evap
3*	7241890002	Spacer-evap
3*	7241931901	Washer, nylon
4	7218944002	Drier-filter, R134a System
6 #	7241516901	Cord-service
6*	7241932501	Harness-wiring, evap fans
6*	7241932601	Bushing-service cord
6*	7241932701	Retainer, wire
6* #	7241900201	Harness-evaporator
6* #	7241900501	Harness-wiring, machine compt
6* #	7241900701	Harness-intermediate, UC, LED lighting
7	7241890201	Cover-fan
10	7241890503	Cover-evap coil
10*	7241933201	Seal-coil cover
13 #	7241781901	Motor-evap fan
13*	7215503203	Screw, cr pan hd, 10-16 x 0.500
15 #	7241891801	Evaporator, w/heat exchangr
17	7241889801	Trough-drain
22	7241888101	Base-compressor
22*	7218252201	Screw, #8 truss hd, 10-32CA x 0.500
23	7218513300	Grommet-compr mtg, (4)
24	7241812301	Washer-compr mtg
25	7216056401	Clip-compressor mtg
26	7241889901	Pan-defrost drain
29 #	75303918368	Compressor Kit
30 #	7241707717	Starter-PTC
32	7216649200	Clip, controller
34	7240405201	Grommet, rubber, black, cond tube/wire
41	7240433204	Screw, hex washer head, 8-18 x 5/16
44	75304456288	Clamp-wiring harness, strain relief, galv steel
45	7241906101	Screw-#10 x 3/4 TEK
50	7241511116	Board-main power
50*	7241532401	Channel
55	7218909913	Capacitor, run, 220 VAC, 15 microfarad
58	7240433203	Screw, hex washer head, 8-18 x 3/8
59	7241889701	Shroud, cond fan motor
59*	7240359403	Screw-fan shroud, (2)
59*	7240396801	Clamp, tube/wiring, nylon, black/natural
59A	7241889601	Bracket-cond motor
59B	7241896401	Support, cond shroud
60	7241584301	Motor-condenser fan
61	7241639501	Blade-condenser fan
81	7240555004	Screw-#8-32 X 3/8 BLACK
84	7241931401	Tube-drain, lower
85	7241898101	Tube-hot loop
92	7241512902	Cover-sensor, black
93	7240597203	Sensor
94	7241904001	Housing-filter, air
95	7241754001	Filter-air
96 #	7241900001	Board-LED power
96*#	7241900401	Harness-LED driver
97	7241519401	Clip, sensor
*	7218515401	Clip
*	7241919901	Clamp, cable

WIRING SCHEMATIC



WIRING DIAGRAM

